



## UNDERCOUNTER DISHWASHER USER'S MANUAL

**Model:**

HQ 500

HQ 500 ULTRA



## TABLE OF CONTENTS

<b>TOPICS</b>	<b>PAGE</b>
<b>1-INTRODUCTION</b>	<b>3</b>
<b>2-TECHNICAL DATA</b>	<b>4</b>
<b>3-WARNING SIGNS AND SAFETY DETAILS</b>	<b>6</b>
<b>4-TRANSPORTING AND MOVING</b>	<b>7</b>
<b>5-OPERATION OF THE MACHINE</b>	<b>12</b>
<b>6-CLEAN-UP AND MAINTENANCE</b>	<b>18</b>
<b>7-ELECTRICAL CIRCUIT DIAGRAM</b>	<b>19</b>
<b>8-TROUBLESHOOTING</b>	<b>20</b>

# 1-INTRODUCTION

Dear User,

Thank you for purchasing our device and for your reliance upon our company. Our devices have been used within our customers kitchen, your kitchen in 100 countries. Our devices are produced in compliance with international standards. Important notice: Please read or ensure that the users read this user's manual in order to achieve the desired performance in line with your expectations and to use your device for long years. Please take the warnings mentioned above into consideration before calling for service...

- Please read and ensure that your operation personnel also reads this user's manual carefully before installing and using the device. If the device is operated without reading the user's manual, the device will not be covered by the guarantee.
- The manual containing information about installation, usage and maintenance of our product you purchased should be read carefully. Please ensure that power supply connections to the device are already installed by qualified personnel according to local legislation, before our authorized service personnel arrives for the installation of the device.
- If you are confused or you don't have enough information please get in touch with authorized service by phone.
- Please keep in mind that, if the service personnel is delayed at your site, related expenses and delay costs will be charged to you on hourly basis.
- We hope that you will get the best performance from our product...

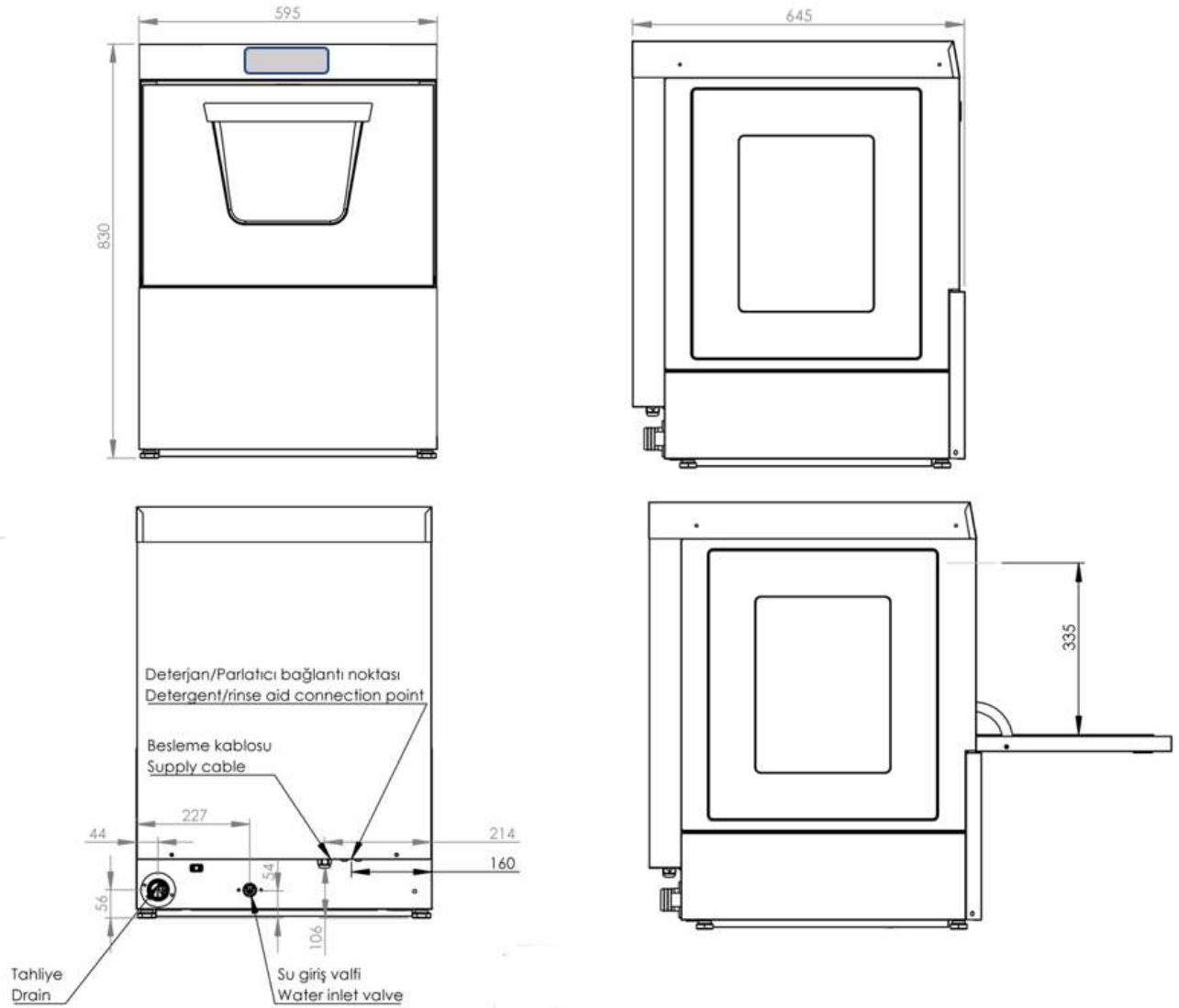
## 2- TECHNICAL DATA:

MODEL	09211004	09211005	09211006	09211007
Total Rating	230V NPE 50 Hz	400V NPE 50 Hz	230V NPE 50 Hz	400V NPE 50 Hz
Total Rating(kW)	3,6	5,5	3,6	5,5
Washing Capacity (Plate/Hour)	560	560	560	560
Washing Capacity (Basket/Hour)	35/27/18	35/27/18	35/27/18	35/27/18
Washing/Boiler Tank Capacity	27 / 6 lt.	27 / 6 lt.	27 / 6 lt.	27 / 6 lt.
Washing Program Number	3	3	3	3
Program Times(sn.)	102/132/192	102/132/192	102/132/192	102/132/192
Washing Water Temp. (°C)	55-60	55-60	55-60	55-60
Rinsing Water Temp. (°C) max.	80-85	80-85	80-85	80-85
Water Inlet Connection	3/4 "	3/4 "	3/4 "	3/4 "
Water consumption per cycle* (lt)	2,8	2,8	2,8	2,8
Water Inlet Pressure (Bar)/Temp.	2-4 Bar / 50 °C	2-4 Bar / 50 °C	2-4 Bar / 50 °C	2-4 Bar / 50 °C
Heat Power (Washing/Rinsing)	2 / 3 kW	2 / 5 kW	2 / 3 kW	2 / 5 kW
Dirty Water Discharge Connection	1 1/4" (Ø42 mm)	1 1/4" (Ø42 mm)	3/4" (Ø 28 mm)	3/4" (Ø 28 mm)
Gross Weight	70 (±5) kg	70 (±5) kg	70 (±5) kg	70 (±5) kg
Dimensions (WxDxH) (mm.)	595x645x830	595x645x830	595x645x830	595x645x830
Protection Class	IPX5	IPX5	IPX5	IPX5
Rack Dimension (cm.)	50x50	50x50	50x50	50x50
Loading Height	33,5 cm	33,5 cm	33,5 cm	33,5 cm
Inclination	6°	6°	6°	6°
Washing Pump Power (kW)	0.66	0.66	0.66	0.66
Rinsing Pump Power (kW)	-	-	-	-
Rinse Aid Pump	+	+	+	+
Detergent Pump	-	-	+	+
Rinsing Pump	-	-	-	-
Drain Pump	-	-	+	+
Electrical Connection Cable / Flexible Water Supply and Drain Hose	+	+	+	+



Your dishwasher can be one of the values that given on table, for actual value of your Dishwasher please control your dishwasher's nameplate.

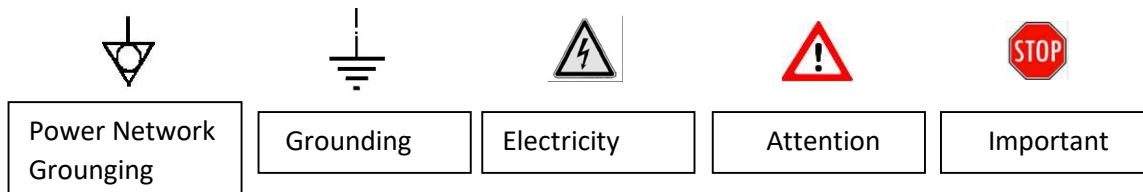
## 2.1 Device Dimensions:



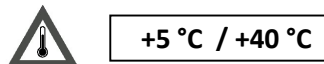
- A** : Fresh Water Inlet
- B** : Electrical Connection
- C** : Drain Hose Outlet

### 3- WARNING SIGNS AND SAFETY DETAILS

#### 3.1 Warning Signs



- The machine should never be exposed to direct sunlight.
- The machine should never be left in water and its outer surface should never be cleaned with high pressure water.
- This machine is designed for industrial use and should only be operated by personnel trained according to this manual.
- This machine must be installed according to effective regulations. It should only be operated in places that are ventilated well or under a chimney hood. Otherwise, hot water steam and excess moisture produced by your machine or other devices within the kitchen may damage the mechanical and electrical parts of your machine. Ambient humidity should not exceed 65%.
- Ambient temperature where the machine is operated should be between (+5 °C / +40 °C).




- If the machine is fed with hot supply water, water inlet temperature should not exceed maximum + 50 °C.
- The machine is designed to operate with softened water at a French water hardness level of (0 -10). Excess calcium in water supply may damage moving parts of the machine and decrease washing performance of the machine. For this reason daily maintenance as described in the section (CLEAN-UP AND MAINTENANCE Page -18) should be carried out regularly.
- The machine should not be dislocated when operating.
- If the machine has to be operated subsequently, then it should be paused for 1 hour for every 4 hours of operation.
- OUR COMPANY IS NOT RESPONSIBLE FOR POSSIBLE FAILURES THAT MAY OCCUR AT DETERGENT SYSTEM CONNECTIONS. THEREFORE WE RECCOMENT YOU TO COOPERATE WITH PROFESSIONAL DETERGENT COMPANIES EMPLOYING ELIGIBLE INSTALLATION PERSONEL.
- LOW QUALITY DETERGENT MAY HARM OPERATING SYSTEM AND PLASTIC COMPONENTS OF THE DEVICE. THEREFORE WE REMIND YOU TO CHOOSE APPROPRIATE TYPE OF DETEREGENT.
- WE DO NOT USE CLEANING CHEMICALS CONTAINING LAUNDRY WATER, CHLORIDE OR HYPOCLORURE.
- CLEANING MATERIALS MUST NOT BE USED AS STEEL SPONGE AND WIRE BRUSH.



**WE RECCOMEND YOU TO TREAT THE SUPPLY WATER IN A PURIFICATION SYSTEM BEFORE USING, IF IT HAS A HARDNESS HIGHER THAN 0 - 10 FRENCH HARDNESS LEVEL.**



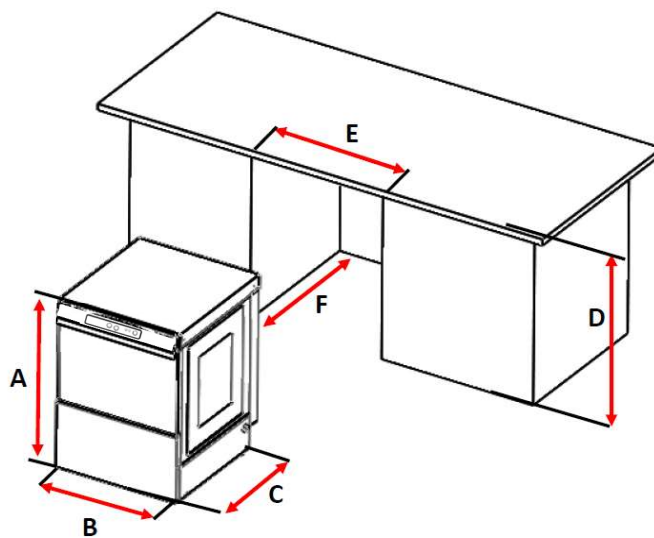
 Your dishwasher can be one of the values that given on table, for actual value of your Dishwasher please control your dishwasher's nameplate.

## 4- TRANSPORTING AND MOVING



- The machine should be placed vertically on a pallet by manpower.
- Transportation should be carried out by inserting the forklift forks under the machine.
- If the transported distance is far, the machine should be moved slowly and fixed to the pallet or supported by another personnel to prevent jolt, if necessary.
- Do not hit or drop the machine when moving.
- Producer company is not responsible for the damage occurring during transportation of the machine.

### 4.1 Assembly Place :



Dimensions:(mm)	HQ 500
Height (A)	830
Width (B)	595
Depth (C)	645
Installation Place Height (D)	850
Installation Place Width (E)	605
Installation Place Depth (F)	685



### CHANGING THE LOCATION :

Machines installed by an authorized service **CANNOT BE MOVED ELSEWHERE, ITS CONNECTION HOSES AND CABLES CANNOT BE EXTENDED OR REPLACED** except by an authorized service.

## 4.2 Installation Diagram

### REQUIRED ESTABLISHMENT OF THE MACHINE

**1-Fuse Box**

1.1-1x32A Fuse

1.2- 3x2.50 cable

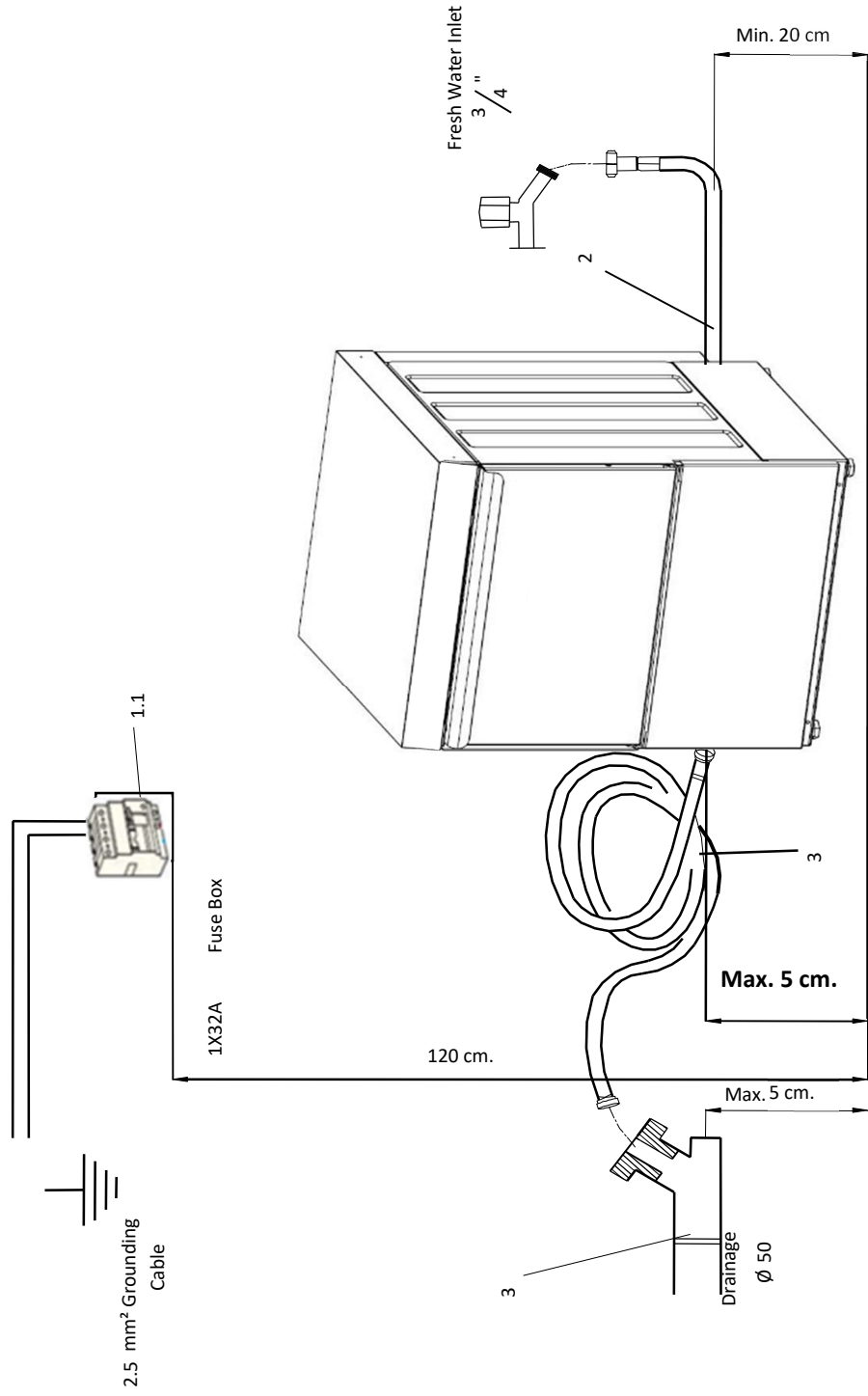
2- Fresh water inlet;

3-Drainage;

1.2

3x2.5 mm<sup>2</sup> ANTIGRION  
CABLE

2.5 mm<sup>2</sup> Grounding  
Cable





#### 4.3 Electrical Connections:

- All electrical connections must be made by authorized service personnel in accordance with local and national standards and directives.
- All products must be connected to the residual current device of 30mA.
- Use the power socket and an appropriate connector to connect the appliance. Power socket is on the side. This connection is additional to existing grounding.
- Before connection, make sure that rated voltage on the name plate matches the mains voltage. Furthermore, also the fuse rating should match product specifications.
- If power cable is damaged, please obtain a replacement from Maxima or authorized service.
- Electrical ratings are marked on the product's name plate.

#### 4.4 Water Connection:

- A 3/4" water inlet hose is provided with the appliance. Use this hose for water connection and check water tightness on connections and the hose.
- When installing the appliance, use the new hose provided. Avoid using old damaged hoses.
- Washing performance of the product depends on external conditions such as water inlet temperature, pressure, hardness and chemicals used (detergent, polisher). To increase the service life and washing performance of the appliance, supply water should have proper hardness. Otherwise, use a water softening device.

**Caution!** Any damage resulting from the use of hard water will not be the manufacturer's or dealer's liability, and voids the product warranty.

#### 4.5 Limits in Water Connection:

- Water inlet temperature: 4-50°C.
- Inlet pressure of flowing water: A rinsing pump is needed if pressure is 0-2 bars. A pressure of 2-4 bars is appropriate. If pressure exceeds 4 bars, adjust the pressure using the pressure regulator.

If these conditions cannot be satisfied, appliance's washing performance would decline.

#### 4.6 Drain Connection:

##### 4.6.1. Models Without a Drain Pump:

- In models without a drain pump, waste water is transferred to the drain vent by gravity. Drain hose should run to the drain vent with a downward slope. Therefore, drain vent height should be max. 100 mm. Never reduce the diameter of the drain hose.
- Allow a adequately long drain hose so that the appliance can safely be moved during servicing. Drain vent diameter should be  $\varnothing 42$  mm (1 1/4") and drain should be below the hose outlet level. Make sure that the hose-drain vent connection is watertight.

•

##### 4.6.2 Models With a Drain Pump:

- If drain vent is below the appliance's drain outlet, attach the hose to the drain vent with a downward slope. Otherwise, drain vent height should be 60 cm max. The  $\varnothing 28$  mm (3/4") drain vent should not be below the appliance base.

#### 4.7. Loading Detergents and Rinse-Aid:

Chemical pumps are located on the back side of the front panel (Optional). Disconnect the appliance before removing any panel. A plastic hose is available for each chemical pump. There are hose outlets on the back side of the appliance. Attach the weights provided with the appliance to the ends of the chemical hose. Then, position the weight at the hose end below the chemical drum. Always make sure to attach the detergent hose and the rinse aid hose to the right container. (Rinse aid hose to the rinse aid drum, detergent hose to the detergent drum)

**Attention:** Only use chemicals suitable for industrial washing or glass washing. Rinse aid should be suitable for temperatures below 40°C as well.

#### 4.7.1. Detergent & Rinse-Aid Amount:

Detergent pump dosage is set during production, and rinse aid pump is automatically set. However, depending on actual water hardness at the place of installation, chemical dosage may be re-set on the detergent pump. Chemical pumps are located right on the back of the front bottom panel (Optional). Turning the setting knob clockwise and counter clockwise increases and decreases the chemical dose respectively.

**Note:** At start-up, bleed excess air in the hoses. Because, in the first use, washing should not be done without chemical. Remove the water outlet plug and run the machine (water intake process) until it is filled with chemicals in the hoses. Then the water outlet plug should be placed for the washing process.”

#### 4.8 Washing and Rinsing Water Temperatures

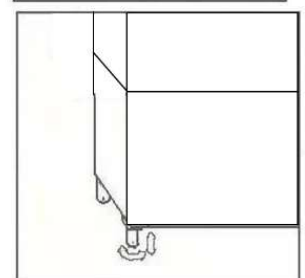
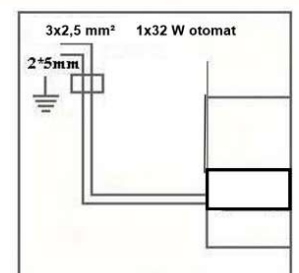
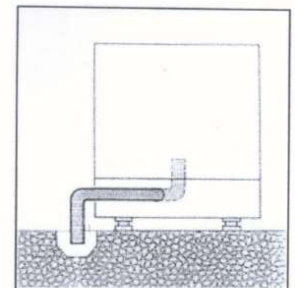
Water temperatures can be adjusted. During production, our appliance is set to the following temperature values. The temperature should not be set higher than these temperatures.

<b>Models:</b>	HQ 500
Rinsing Water Temp.(Boiler)	85°C
Washing Water Temp.(Tank)	55°C

#### Machine Assembly

#### 4.9. Measures on the Customer Side:

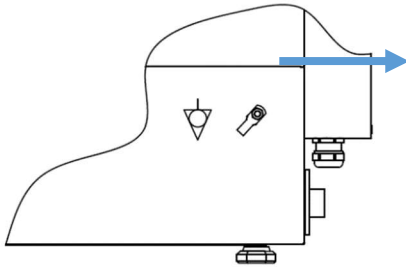
- 1- Call a qualified electrician to complete the electrical connection of the appliance. A V-type automated fuse located at a minimum height of 120 cm, and a 30 mA residual current device should be installed in the assembly.
- 2- Ground the appliance with the mains ground lead securely attached to the ground terminal of the appliance’s power cable.
- 3- The appliance is delivered with a power cable (3x2.5 mm NYAF), an inlet hose with a 3/4” tap connector and a Ø42 mm drain hose (Ø28 mm for the models with a drain pump).
- 4- To supply clean water to the appliance, install a new 1/2” piping system on the rear wall at a min. height of 200 mm from the floor and terminate it with a 3/4” valve.
- 5- To discharge wastewater from the appliance, install a Ø50 PVC piping system on the rear wall at a max. height of 100 mm from the floor. Use a floor trap if the drain outlet is equipped with a grate.
- 6- Make sure that there is a hood-equipped ventilation system in the room where the appliance is installed.
- 7- Appliance’s legs are adjustable. Adjust them to create a level plane on the floor.
- 8- Make sure that the room is free of steam and moisture.



**Unless customer completes these measures, the authorized service will not install the appliance.**

**STOP** 4.10. Measures on the Authorized Service Side:

- 1- After initial measures are completed by the customer, the service member called will install electrical and water connections and start up the appliance.
- 2- Never start the appliance before the service member arrives, otherwise product warranty will be void.
- 3- Call the detergent company on the day appliance is installed, if possible. Have detergent and polisher pumps installed. Our company or service will not be liable for any damage on the appliance caused by the detergent company.

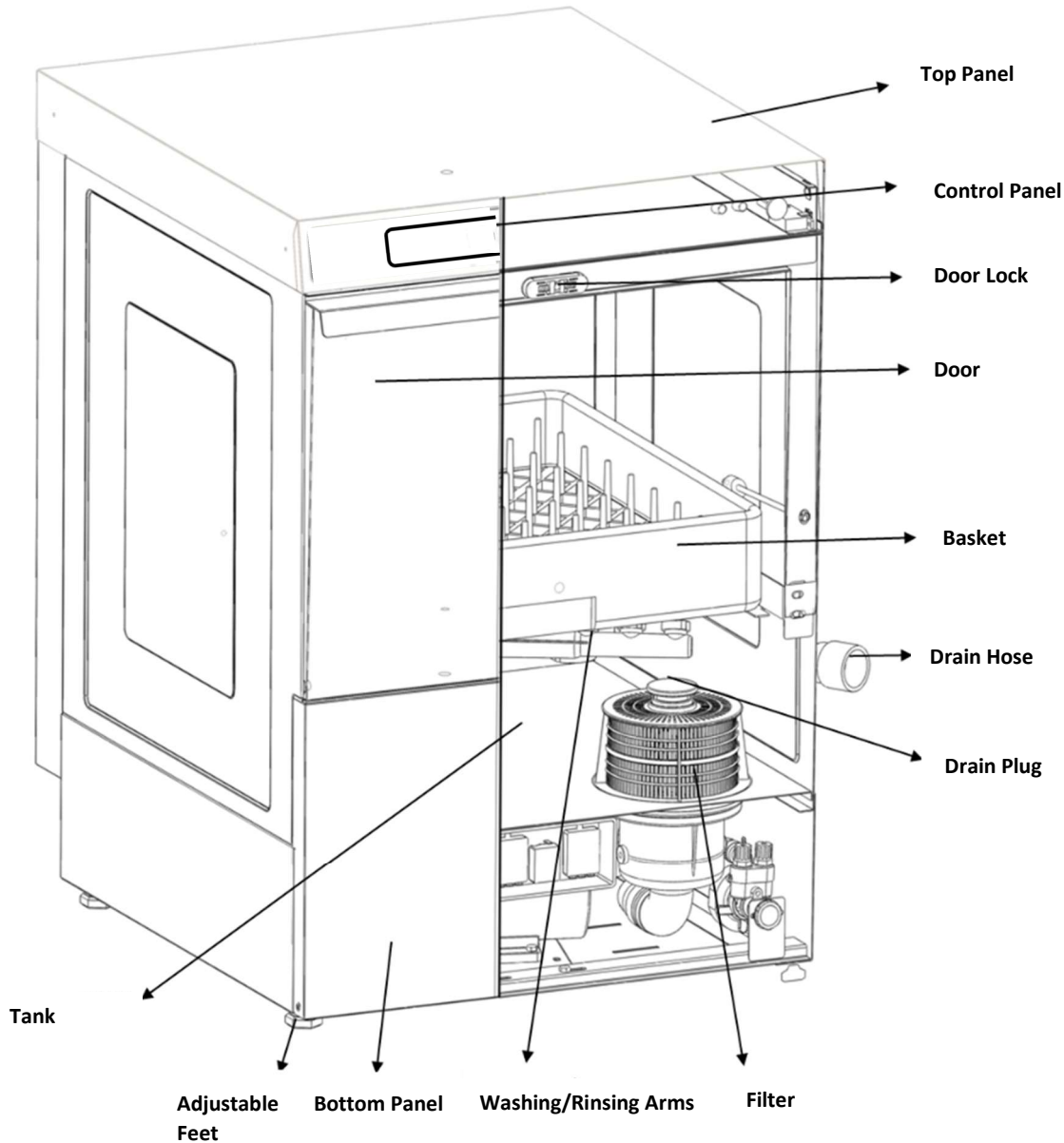


**“Grounding” screw for an external connection**

**CAUTION! : NEVER START THE EQUIPMENT BEFORE GROUND CONNECTION IS COMPLETED**

## 5- OPERATION OF THE MACHINE

**5.1 Getting to know our device:** To understand the information in the user manual correctly, the main parts of the machine should be known, please have the information by examining the picture below.



This product is used in tourism facilities, industrial kitchens, work sites, patisseries, catering companies for washing dishes. Only preparation equipment, dishes (plates, forks, spoons, knives, glasses, service trays etc.), service utensils (ladles, skimmers, spatulas, tongs, etc.) should be washed in the machine.

**NOTE:** Do not use for purposes other than mentioned above. Machine should be operated by a qualified personnel informed about safety terms and technical specifications and who has read the instruction manual.



To ensure that the user is using the machine correctly after installation, the following items should be shown to the user;

- It should be shown how to cut off the electricity and water supply in case of emergency.
- Turning on the machine
- Working with machine
- Water discharge process
- Turning off the machine

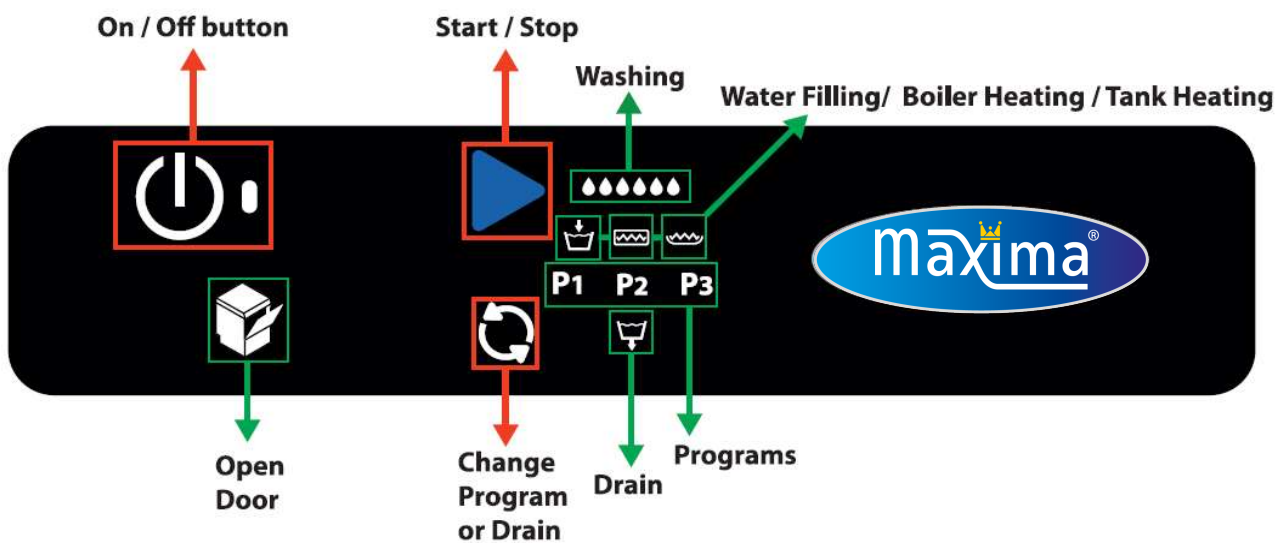
## 5.2 Operation:

## 5.3 Description of the Appliance

Unlike domestic appliances, industrial dish and glass washers are designed for almost uninterrupted operation.

## 5.4 Control Panel

Before starting the appliance, first get familiar with the control buttons and symbols on the front panel. In addition, get familiar with the location of power and water cut-off switches.



## 5.5 Starting the Appliance

Make sure that power, water and drain connections are installed. Press the “On-Off Switch” on the front panel to run the machine.

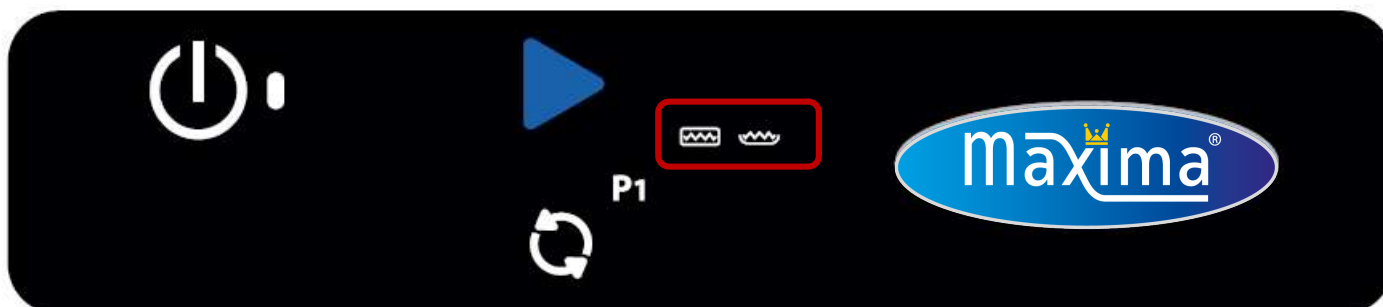


Appliance will automatically start to take Water during this process below symbols will be on. Once the set water amount is reached, heating will start automatically.



Appliance heats first the boiler and then the washing tank water. Washing operation will not start until washing temperature reaches 'Factory Settings'. During Heating process boiler and tank heating symbols will be blinking.

When boiler and washing tank temperature reaches 'Factory Settings', boiler and tank heating symbols will be stable.

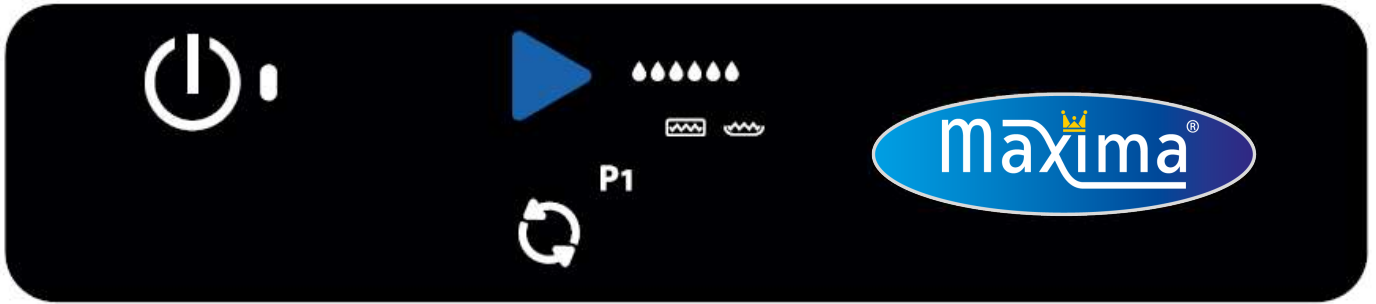


### 5.6 Initial Preparation for Use:

At initial start of the appliance everyday, wait 25-30 min (depending on the dishwasher model) for the supplied water to warm up. After the water temperature reaches 'Factory Settings', warning sound will ring. Appliance is designed to function efficiently when proper temperatures are reached. If the temperatures are decreased, wait for the appliance to reach proper temperature before starting a new wash cycle.

### 5.7 Starting a Wash Cycle

Open the door, load the first basket and check that upper and lower arms turn freely. For selecting the program, press the 'Start/Stop' switch. After, use the "Program Selection Key" to select a program (102 sec, 132 sec, 152 sec,) considering the dish type and dirt level, and press the "Washing Start" button to run the program selected. Once washing cycle is complete, rinsing cycle is started. If the cover of the machine is opened for the any reason, washing operation will stop. After closing cover the washing program will resume. After finishing of the washing operation warning sound will ring. Open the door, pull out the basket accommodating washed dishes and load a new basket. Close the door and start a new wash cycle.



**Note:** It is recommended to operate the appliance at an ambient temperature range of 5°C - 40°C, and ambient moisture of 65%.

**5.8 5.8 Draining:**

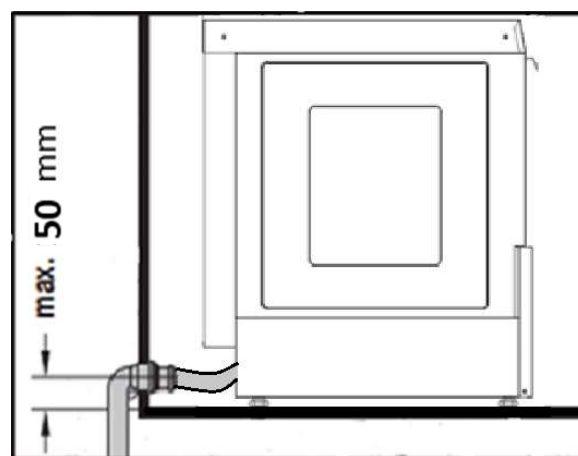
Excess water will automatically be drained during the operation. At the end of the day, leave the appliance with its door open for draining and drying. At the end of the cycle, always bleed the boiler water before switching off the appliance.

To Drain the Water in washing tank active the Drain symbol.



**5.8.1 Models without Drain Pump (Drain by Gravity):**

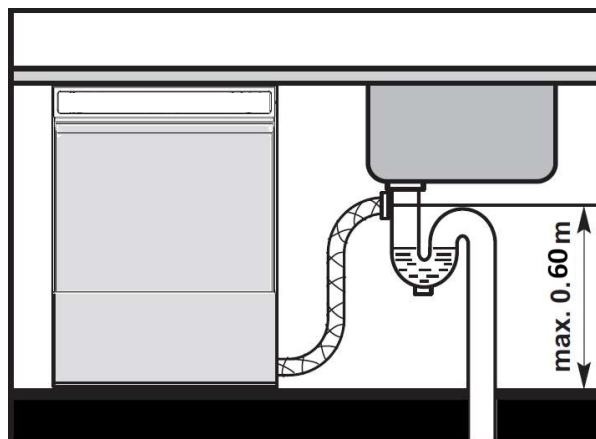
Turn off the appliance from the control panel. Open the appliance's door and remove the drain plug in the tank. Now, machine must start draining. Once draining is complete, re-place the drain plug. Turn off the mains water and power supply of the appliance.



### 5.8.2 Models With a Drain Pump (Optional):

In each operation, drain system is automatically activated when rinsing cycle is started. Once washing cycle is complete, open the door and remove the drain plug. Remove Drain pipe, Press the 'Washing Stop' switch for 3 sec. when the drain character occurs on LCD screen, drainage operation will start automatically. After discharge time (Factory Settings) finished, the drain pump will stop automatically. After finish the drain process press the 'On/Off' switch for the turn off the machine.

**Note:** Once draining is complete, it is recommended to disconnect mains water and electrical supply, and clean the appliance as described. For a more hygienic operation, leave the appliance door open after the draining process to ensure that boiler is naturally dried.



### 5.9 Deactivating the Appliance:

If you need to remove or deactivate the appliance for any reason, appropriate local or national regulations should be observed. Maxima recommends the following procedures.

- Remove chemical hoses from their drums carefully, then close the container lids to avoid chemical spillage. Refer to safety notes for the chemical drums to prevent any damage due to spillage.
- Make sure that water is fully drained off the appliance, and then remove the drain hose from the drain vent. Wipe and dry moist areas of the appliance after draining.
- Turn off the mains power supply.
- If the appliance is plugged to the plug socket, disconnect it.
- If cable terminals are connected directly to the electrical panel, call a qualified electrician to carry out the disconnection as per local and national wiring regulations.
- After disconnection, make sure that the voltage / ground wire is removed from its housing on the rear part of the appliance.
- Turn off water supply to the appliance and isolate the water inlet hose. Before proceeding with the next step, dry out any leak.
- Unscrew the bottom panel and remove it.
- Remove the boiler discharge plug and drain water into a vessel. The vessel should have a 6-litre capacity.



#### Attention:

If draining is to be carried out immediately after the operation, discharge water from the boiler may be 85°C.

- Then, re-place and tighten the plug.
- Re-place the front panel and make sure that all cables and hoses are securely fastened to the device to avoid any risk. It is now safe to move the appliance.



## 5.10 Recycling:

If you intend to recycle or dispose of the appliance, make sure that local and national regulations are observed.



### NOTE:

- 1- Hardness of water supplied to the appliance should be softened to 0-10 °fH.
- 2- Extremely hard water both shortens the service life of the appliance and drops its washing performance. Calcified parts are outside the warranty coverage.
- 3- In case of continuous operation, apply a 1-hour break every 4 hours of operation.
- 4- Never move the appliance when running.

**CAUTION!** Take utmost care to install and operate the appliance in strict accordance with this manual. In case of a mechanical failure, please first refer to the “Troubleshooting” section in this manual, and then call our call centre to request for authorized service if necessary. Always avoid unauthorized intervention in the appliance.



## 5.11. Use of Detergents and Rinse Aid in the Dishwasher

1. Remove the plug on the rear part of the appliance and connect the hose from the detergent dosing unit to the wash tank using a proper coupling.
2. Dirt level of dishes and detergent characteristics should be considered to assess water hardness and consumption in the dishwasher. User should never modify the detergent dosing rate set by authorized members of the detergent company.
3. If detergent dose supplied to the appliance is increased through unauthorized intervention, excess foam would be produced, causing the dishes look dirty and detergent-contaminated after washing, and also excessive detergent consumption would occur. On the contrary, reducing the detergent dose would cause inefficient washing, resulting in non-cleaned dishes.
4. Rinse Aid pump is automatically set according to rinse water consumption and water hardness. Thanks to this automatic setting, excessive rinse aid feed and excessive foam production in the washing system is avoided and hence poor rinsing performance and dirty-looking dishes contaminated by hazardous chemical agents are prevented.
5. Another harmful effect of excess rinse aid in the rinse water is the occurrence of a higher acidic effect resulting in abrasion of the rinsing line.
6. The detergent and rinse aid used should be health-friendly.
7. It is recommended to use non-effervescent detergents and rinse aids designed for dishwashers.

## 6- CLEAN-UP AND MAINTENANCE



### 6.1 Periodical Maintenance and Clean-up

Daily maintenance should be carried out by people informed about the safety instructions as following, after disconnecting power supply and water connections.

#### 6.1.1 Daily Maintenance:

Daily maintenance should be carried by the user. In order to clean up the machine within the day following should be carried out periodically after the washing operation:

1. Wash and rinse arms should be disconnected and the scraps remaining in those arms should be removed away using pressure water, brush, fine wire etc. and reinstalled back to their places.
2. Scraps remaining in the washing tank should be removed and cleaned up. (Do not carry out washing operation without installing scrap filters)
3. If the period between two washing operations exceeds "5 Hours" water outlet pipe should be disconnected and all of the water should be drained out fully.
4. Suction filter should be disconnected and cleaned up with plenty of water.
5. Inside of the tank should be cleaned up with a sponge or cloth and plenty of water.
6. After cleaning operation is finished suction filter, water outlet pipe, scrap filters and washing and rinsing arms should be reinstalled.
7. Scale formed on the carriers of the device after certain period of use, must be wiped away. If it is not cleaned up for a long time, scale formed on the carriers of the device, hinder the free movement of the hood.



Rinsing Arm      Washing Arm

#### 6.1.2 Periodical Maintenance:

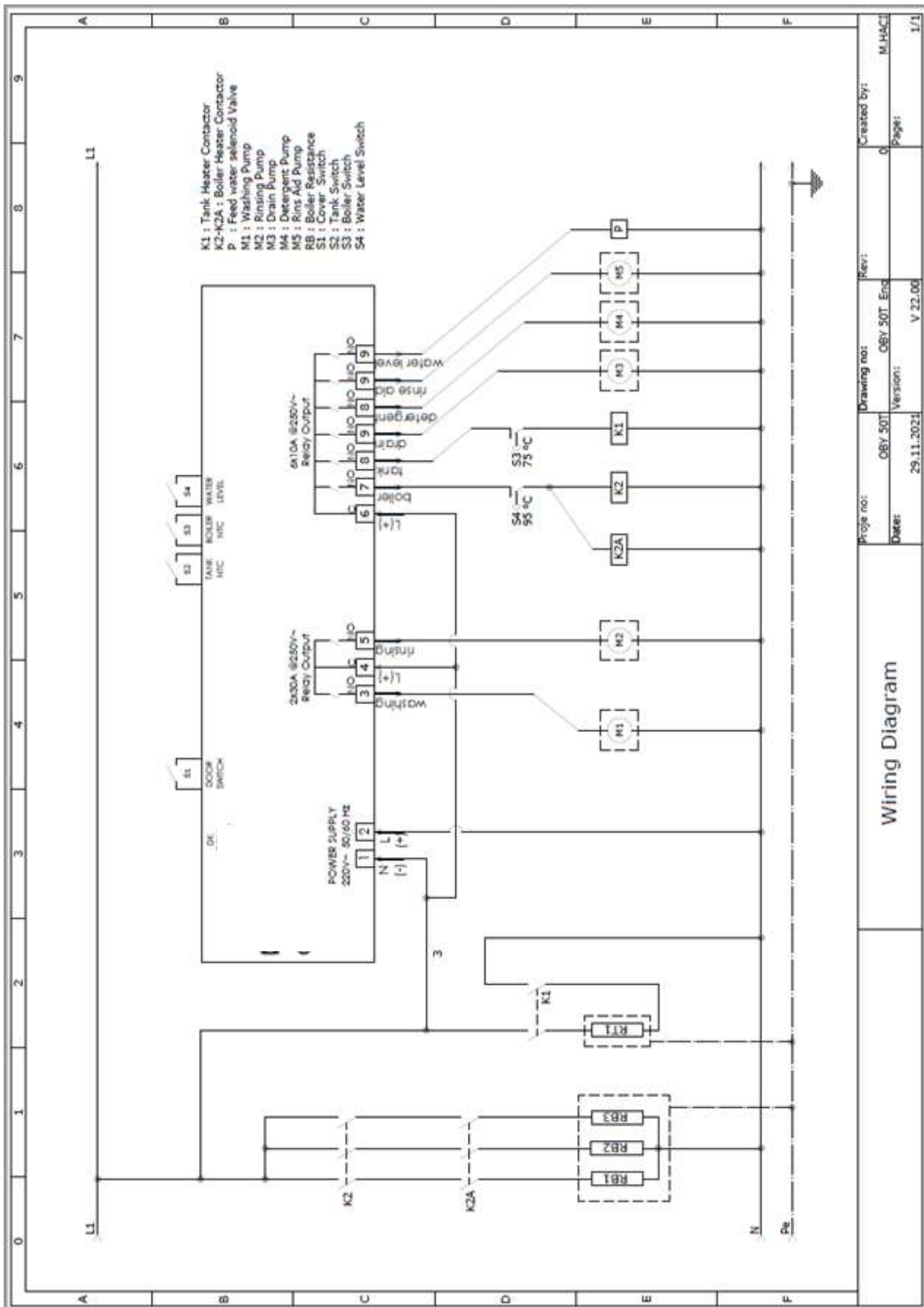
Periodic maintenance should be carried out by the user at least once in a month, after the cleanup and maintenance that must be conducted after each washing operation is completed. This should be done when the machine is ready for operation and before the dishes are set up in the machine. After ½ kg's of decalcination substance is added to the washing tank, the machine is operated for ½ hours so that it cleans itself up. Afterwards the water within the machine is disposed and then refilled with fresh water. This time the machine is operated without any additive substance only with water for ½ hours and after the water inside is disposed, the machine will be ready for operation.

If the device is not used for long period of time, you must drain the water left inside the boiler. For this purpose, let the water drain out after opening the tap (boiler tank tap) at the lower part of the devices body. Other wise, water staying inside too long, may harm the resistances.



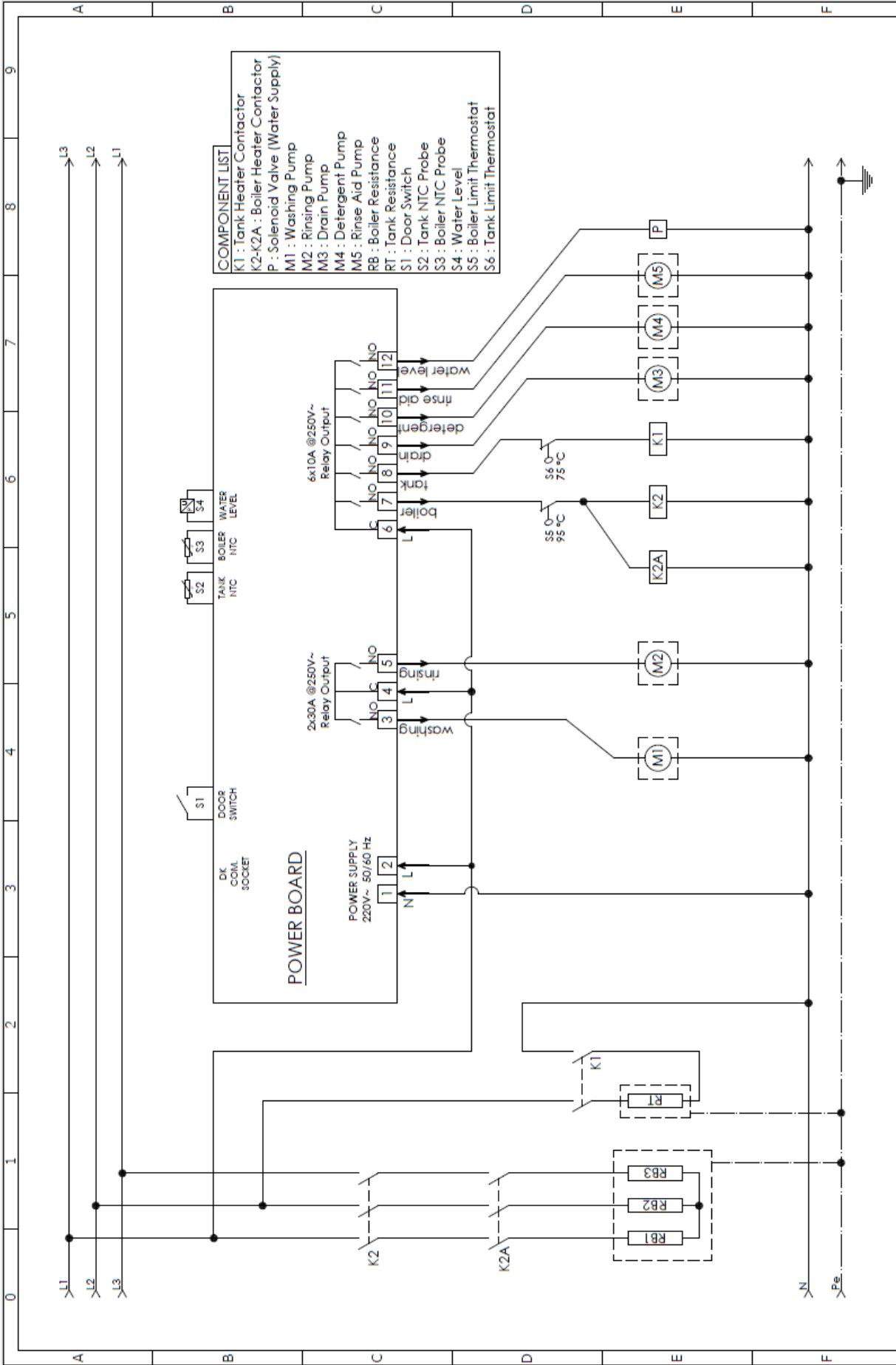
- Never use cleaning chemicals containing bleaching agents, chlorine or hypochloride.
- Never use steel sponge or wire brush for cleaning purposes.
- Do not use pressurized water to clean inner and outer surfaces of the appliance.
- Before cleaning the interior of the dishwasher, first carefully remove from the boiler any parts that may cause injury during cleaning, such as sharp glass pieces.
- Wipe clean the interior of the dishwasher. Once wastes and particles are removed, re-place the washing/rinsing arms and filters.
- Clean the outer surface of the dishwasher with a damp cloth. Never use wet cloth for cleaning.
- After drying, clean with a stainless steel cleaning article.

# 7- ELECTRICAL CIRCUIT DIAGRAM



Project no: OBY 50T		Drawing no: OBY 50T End		Rev: 0		Created by: M.HACI	
Date: 29.11.2021		Version: V 22.00		Page: 1/1			

Wiring Diagram



**COMPONENT LIST**  
 K1 : Tank Heater Contactor  
 K2-K2A : Boiler Heater Contactor  
 P : Solenoid Valve (Water Supply)  
 M1 : Washing Pump  
 M2 : Drain Pump  
 M3 : Rinse Aid Pump  
 M4 : Detergent Pump  
 M5 : Rinse Aid Pump  
 RB : Boiler Resistance  
 RT : Tank Resistance  
 S1 : Door Switch  
 S2 : Tank NTC Probe  
 S3 : Boiler NTC Probe  
 S4 : Water Level  
 S5 : Boiler Limit Thermostat  
 S6 : Tank Limit Thermostat

(3 phase 3NPE)		Wiring Diagram		Project no:	OBV 50T	Rev:	OBV 50T_Eng	Created by:	M.HACI
				Date:	24.07.2023	Version:	V.23.00	Page:	1/1

## 8- TROUBLESHOOTING



Please check the following items before calling the call centre:

**1. Equipment does not run partially or completely, check the electrical supply to the appliance.**

**2. Check mains water and electrical connection is in place and active.**

**3. Electrical supply to the appliance should be 230V NPE 50 Hz.**

**4. Appliance does not run when the start button is pressed;**

- One reason is that door is not securely closed and door switch contact cannot be closed. Make sure that the door is securely closed. If the appliance still fails to wash, call the call centre.
- If the machine performs washing but fails to follow the programmed sequence and waiting time, program switch is faulty. Call the call centre.

**5. If the appliance fails to heat the wash water;**

- The thermostat in the reservoir is faulty. Call the call centre.
- Washing reservoir resistor may be faulty due to calcification, call the call centre.
- Check the inlet water temperature. Very low or high inlet water temperature may affect the heating of process water.
- Check water level in the boiler.

**6. Equipment does not heat the boiler water;**

- Boiler thermostat may be faulty, call the call centre.
- Boiler resistor may be faulty due to calcification. Call the call centre.
- Contactor of the boiler resistor may be faulty. Call the call centre.

**7. Poor washing performance;**

- Check the detergent and polishing chemicals in the drum, replenish if necessary.
- Clean water outlet parts on washing/rinsing arms.
- Clean and properly re-place the filters.
- Make sure that water supply is fully on.
- Remove left-overs in dishes before loading the dish basket.
- Glasses may require pre-washing.
- If there are whitish spots on glasses, water hardness may be high. Call the call centre for details on using the necessary softener.

**8. Poor washing performance;**

- Check the detergent and polishing chemicals in the drum, replenish if necessary.
- Clean water outlet parts on washing/rinsing arms.
- Clean and properly re-place the filters.
- Make sure that water supply is fully on.
- Remove left-overs in dishes before loading the dish basket.
- Glasses may require pre-washing.
- If there are whitish spots on glasses, water hardness may be high. Call the call centre for details on using the necessary softener.

**9. Appliance cannot be switched off;**

- Disconnect the mains electrical supply, and call the call centre for technical service.

#### 10. Appliance does not drain;

- Check and clean the filters.
- Check if drain hose and drain vent are not clogged.
- In appliances with a motorized drain unit, drain system should comply with section 4.6.

#### 11. Water intake is slow;

- Check if water supply taps are open.
- Check water pressure. It should be 2-4 bars. If pressure is low, fit a booster pump.
- Clean water outlet parts on the rinsing arms.
- Check if water hose is clogged or bent.
- If low pressure is due to the pressure reducer on the water supply line, regulator can be removed.



**Attention:** If any wrong installation or use is found during the service under product warranty, a service fee is charged.



**CAUTION**



**The building, facility or area where the appliance is to be installed should have a proper electrical installation as per the interior wiring regulation, and all measures for life and property safety should be taken.**

**OTHERWISE, OUR COMPANY WILL NOT ACCEPT ANY LIABILITY.**

## 9- TERMS OF GUARANTEE

- 1- Documents without sales date, factory and sales company approval on, are not valid. In order to benefit from the warranty, warranty document should be presented.
- 2- If the appliance is installed and operated following the instructions in the installation, maintenance and user's manual, it is warranted for failures sourcing from materials and workmanship
- 3- The failures within the scope of warranty, how and where these will be eliminated, and the way and place of maintenance is determined by authorized service company and/or Ozti.
- 4- The warranty is only valid provided that the warranty terms and the instructions in the installation, maintenance and user's manual are fully complied with. The warranty is only valid for the warranted appliance, and no other right or compensation for some other thing may be claimed.
- 5- If the information about the kind and the type of the appliance, serial numbers printed on the warranty document are scraped, rubbed or changed, then the warranty is not valid.
- 6- The warranty covers only maintenance and repairing of material or workmanship failure within the valid warranty period. Failures and parts within the scope of the warranty are repaired and replaced without any charge.
- 7- The failures occurring in the appliance may only be handled by service personnel authorized by authorized service company and/or Ozti. If people who are not authorized handle the appliance, it will not be covered by the warranty.
- 8- Installation should be carried out by authorized service personnel and the service should be informed about the location change of the appliance.
- 9- When any failure occurs during operation, authorized service dealer should be contacted.
- 10- Warranty does not cover failures and damages resulting from loading,unloading and shipping, which are outside the responsibility of Ozti Similarly, failures and damages resulting from external factors are not covered.



DECLARATION OF CONFORMITY  
according to ISO/IEC/EN 17050-1

File No : DOF.DW.01.V0

Company Name : Spangenberg International B.V.  
Company Address : Nijverheidsweg 23A, 3641 RP Mijdrecht  
Brand Name : MAXIMA  
Product Name : DISHWASHER-ELECTRICAL

Maxima Code	Description
09211000	MAXIMA HQ350 GLASSWASHER 230V
09211001	MAXIMA HQ350 GLASSWASHER ULTRA 230V
09211002	MAXIMA HQ400 DISHWASHER 230V
09211003	MAXIMA HQ400 DISHWASHER ULTRA 230V
09211004	MAXIMA HQ500 DISHWASHER 230V
09211005	MAXIMA HQ500 DISHWASHER 400V
09211006	MAXIMA HQ500 DISHWASHER ULTRA 230V
09211007	MAXIMA HQ500 DISHWASHER ULTRA 400V
09211008	MAXIMA HQ2000 DISHWASHER ULTRA 400V

conforms to the following Directives:

2014/35/EU Low Voltage Directive  
2014/30/EU Electromagnetic Compatibility Directive  
2006/42/EC Machinery Directive  
2015/863/EU RoHS Directive (amending Annex II to EU-2011/65/EU)

and conforms to the following Standards:

EN 60335-1, EN 60335-2-58  
EN 55014-1, EN 55014-2

We declare that, the appliances are produced in accordance with the above standards and directives.

Signature :

Name and Surname  
Of The Authorized

Rob Verhaar

Spangenberg International B.V.  
Nijverheidsweg 19F  
3641 RP Mijdrecht - The Netherlands  
Tel. +31 297 253 969  
Fax. +31 297 256 445  
[www.maximaholland.com](http://www.maximaholland.com) / [info@spangenberg.nl](mailto:info@spangenberg.nl)

Details of Signatory : General Manager

Date : 13.12.2023

Company Stamp :